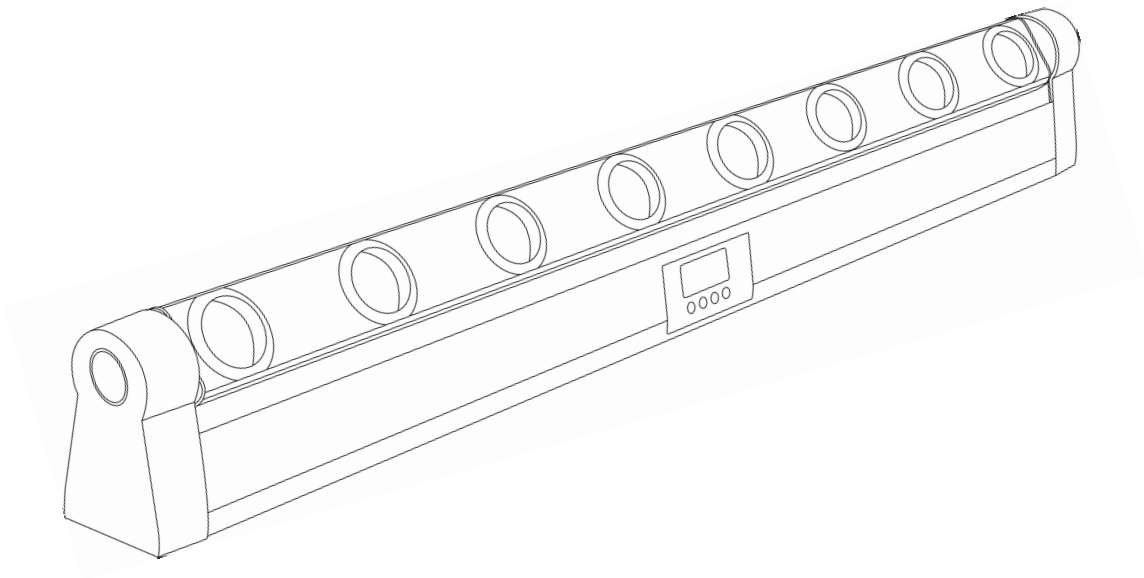


8*8W RGBW 4in1 LED Moving Head Beam Light

INVOLIGHT

MOVINGBAR1808



User Manual

Please read this manual carefully before use!

Thank you for purchasing this product. To optimize the performance of this product, prior to use, please read these operating instructions carefully to familiarise yourself with the basic operation of this unit. Please keep the manual in safe place for future reference.

This unit has been tested at our factory before being shipped to you, there is no assembly required.

Once after received this product, please take and put carefully. And check cautiously that whether the product was damaged or not during the transportation.

Checking Parts

Please check if the following parts are included:

- 1 x LED light
- 1 x User manual
- 1 x Power cable
- 1 x DMX cable
- 1 x Safety robe
- 2 x Quick lock handle

Safety Instructions

important

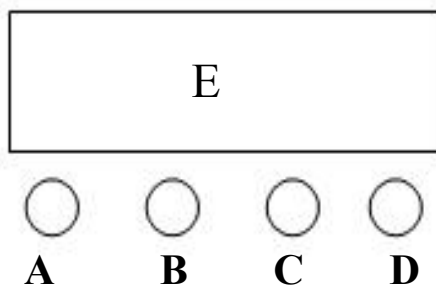
Every person involved with the installation, operation and maintenance of this device has to be qualified and follow the instructions of this manual. Manufacturer will not with responsibility for those operation not according to this Instruction

- Verify that the voltage matches the rated voltage.
- When the voltage is 110V, Do not connect more than 10 lightings in total to AC mains power in one interconnected daisy chain
- When the voltage is 220V, Do not connect more than 20 lightings in total to AC mains power in one interconnected daisy chain
- Before using the fixture, check that all power distribution equipment and cables are in perfect condition and rated for the current requirements of all connected devices.
- Always ground (earth) the fixture electrically.
- Avoiding hit the Light when you are move or install the light.
- Do not expose the fixture to rain or moisture.
- Avoid looking directly into the light source (especially those who suffer from epileptic fits)
- Maximum ambient temperature (Ta) is 40°C. Do not operate fixture at temperatures higher than this.
- The Maximum surface temperature is 50°C

Installation Instruction

- The minimum distance between light-output and the illuminated surface must be more than 0.5 meters. Keep all combustible materials (for example fabric, wood, paper) at least 0.5 meters away from the fixture .
- When suspending the fixture above ground level, verify that the structure can hold at least 10 times the weight of all installed devices.

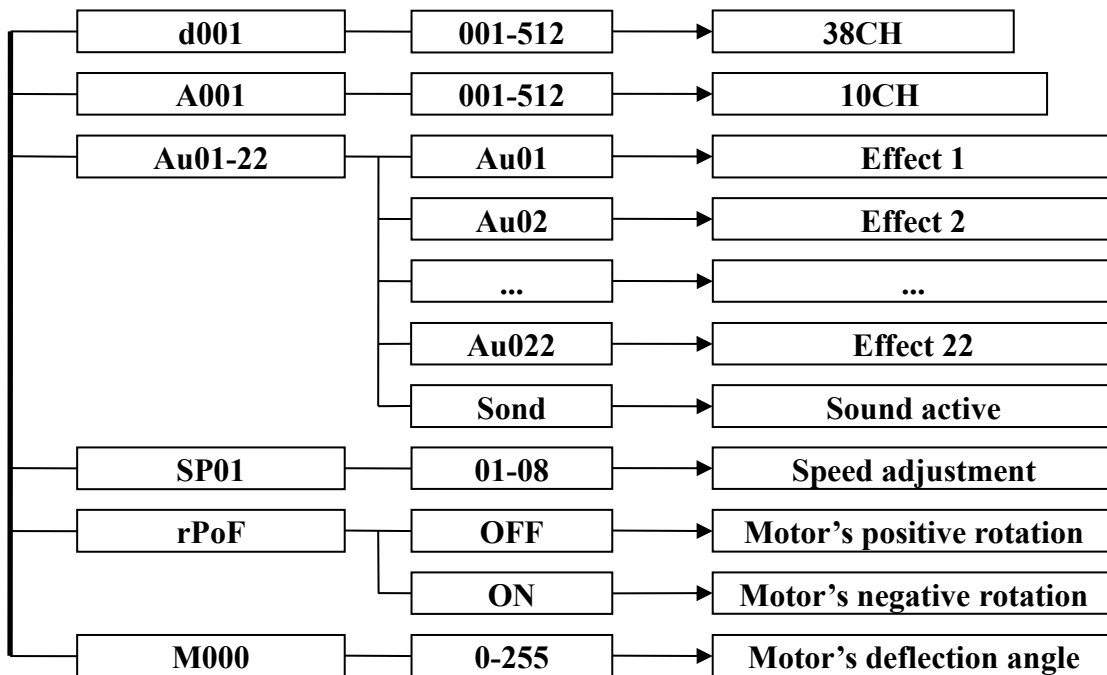
Display Function Instruction



- A. Function button (MENU)
- B. UP button (UP)
- C. DOWN button (DOWN)
- D. Enter button (ENTER)
- E. LED display

Instructions: press A (MENU button) to show 5 different functions, the front 2 digital means the current function (see following chart). The last 2 digital means address, speed . Press B(UP button) or C (DOWN button) to change the data, press D (Enter button) to confirm.

Operation Menu:



DMX512 38 Channels Description

Channel	Value	Function
1	0-255	Pan
2	0-255	Pan speed
3	0-10	5-38 channel work
	11-22	Built-in effect1
	21-31	Built-in effect 2
	32-42	Built-in effect3
	43-53	Built-in effect4
	54-64	Built-in effect5
	65-75	Built-in effect6
	76-86	Built-in effect7
	87-97	Built-in effect8
	98-108	Built-in effect9
	109-119	Built-in effect10
	120-130	Built-in effect11
	131-141	Built-in effect12
	142-152	Built-in effect13
	153-163	Built-in effect14
	164-174	Built-in effect15
	175-185	Built-in effect16
	186-196	Built-in effect17
	197-207	Built-in effect18
	208-218	Built-in effect19
219-229	Built-in effect20	
230-240	Built-in effect21	
241-250	Built-in effect22	
251-255	Sound active effect	
4	0-255	Built-in effect speed adjustment
5	0-255	Dimmer
6	6-255	Strobe from slow to fast
7	0-255	Red dimmer
8	0-255	Green dimmer
9	0-255	Blue dimmer
10	0-255	White dimmer
11	0-255	Red dimmer
12	0-255	Green dimmer
13	0-255	Blue dimmer
14	0-255	White dimmer
.....	0-255	Red dimmer
35	0-255	Red dimmer
36	0-255	Green dimmer
37	0-255	Blue dimmer
38	0-255	White dimmer

DMX512 10 Channels Description

Channel	Value	Function
1	0-255	Pan
2	0-255	Pan speed
3	0-255	Built-in effect
4	0-255	Built-in effect speed adjustment
5	0-255	Dimmer
6	6-255	Strobe from slow to fast
7	0-255	Red dimmer
8	0-255	Green dimmer
9	0-255	Blue dimmer
10	0-255	White dimmer

Notes:Setting master-slave:Set master machine at Au01,Au02,Au03...Au22 and slave machine at d001/A001. Just one light could be settled to be master.

Maintenance

Maintenance should be performed every 15-day period, by using a sponge which is dipped with alcohol, rather than wet cloth or other chemical liquid, to clean the mirror.

Always disconnect from the mains when the device is not in use or before cleaning it.

Warning

Power must be disconnected before maintenance or repair. Do not look at the light source directly

To prevent or reduce the risk of electrical shock or fire.do not expose this unit to high temperature/rain or moisture.

Note

Don't separate machine from light source and repair them by yourself , otherwise no good repair service will be supplied.

Technical Specifications

1. Power supply: 100~240VAC , 50~60Hz
2. Rated power: 90W
3. Lamp spec: 8*8W RGBW 4in1 LED
4. Control signal: DMX512 signal
5. Control mode: Sound Active/ Auto-play/DMX512/Master-Slave
6. Channel:10/38
7. Protection rate: IP20
8. Max operating temperature: 40°

Declaration

This device has left our premises in absolutely perfect condition. In order to maintain this condition and to ensure a safe operation, it is absolutely necessary for the user to follow the safety instructions and warning notes written in this user manual.

We cannot be made liable for damages caused by incorrect installations and unskilled operation!

Warranty Card

This product is made of high-brightness transistor. We will provide 1 year warranty under the condition that user has operated the light normally and lifetime service. We won't provide warranty if the damage is caused by artificial or force majeure event. Cost of fittings should be charged by user if product need maintenance after 1 year .Please cut this warranty card and shipped it along with the product to our factory when applying for warranty.	
Product:	
Purchasing date:	
Code of invoice:	
Warranty date: From	To
User's name:	Add:
Company:	Tel:

INVOLIGHT



ООО «ИНВАСК»

Адрес: 143406, Московская область, Красногорск, ул. Ленина, дом 3-Б

Тел. (495) 565-0161 (многоканальный)

Факс (495) 565-0161, доб. 105

<http://www.invask.ru> e-mail: invask@invask.ru

Сервис-центр «ИНВАСК»

Адрес: 143400, Московская область, Красногорск, Коммунальный квартал,
дом. 20

Тел. (495) 563-8420, (495) 564-5228

e-mail: service@invask.ru