

eurolite®

DMX Operator
Lighting controller

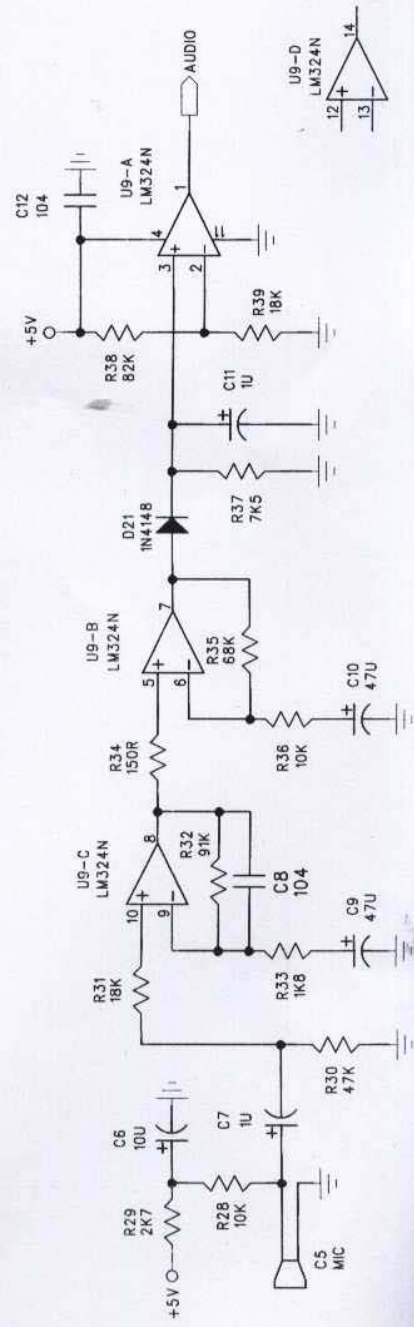
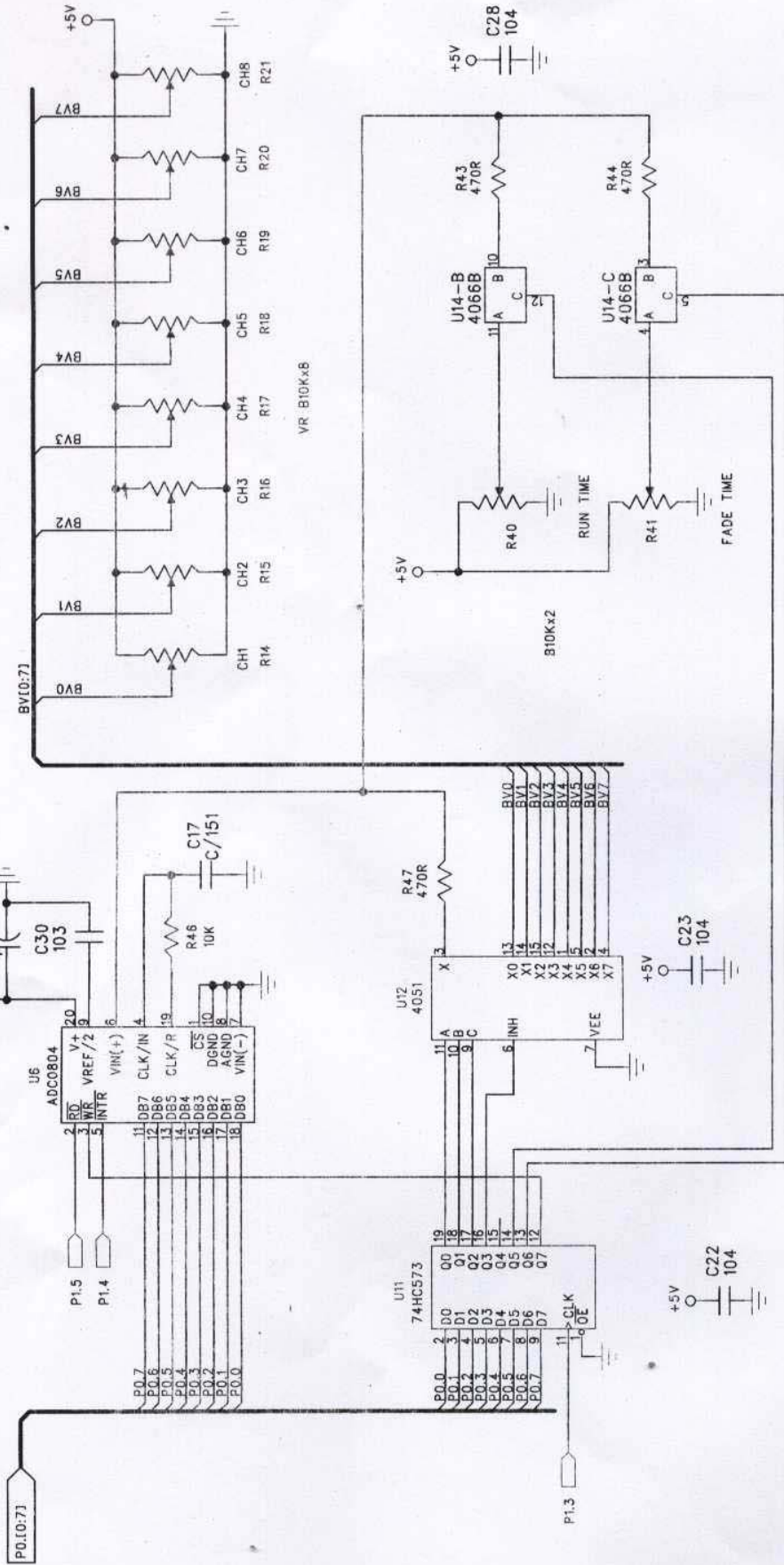
Service-Dokumente

Service-documents

Documents de service

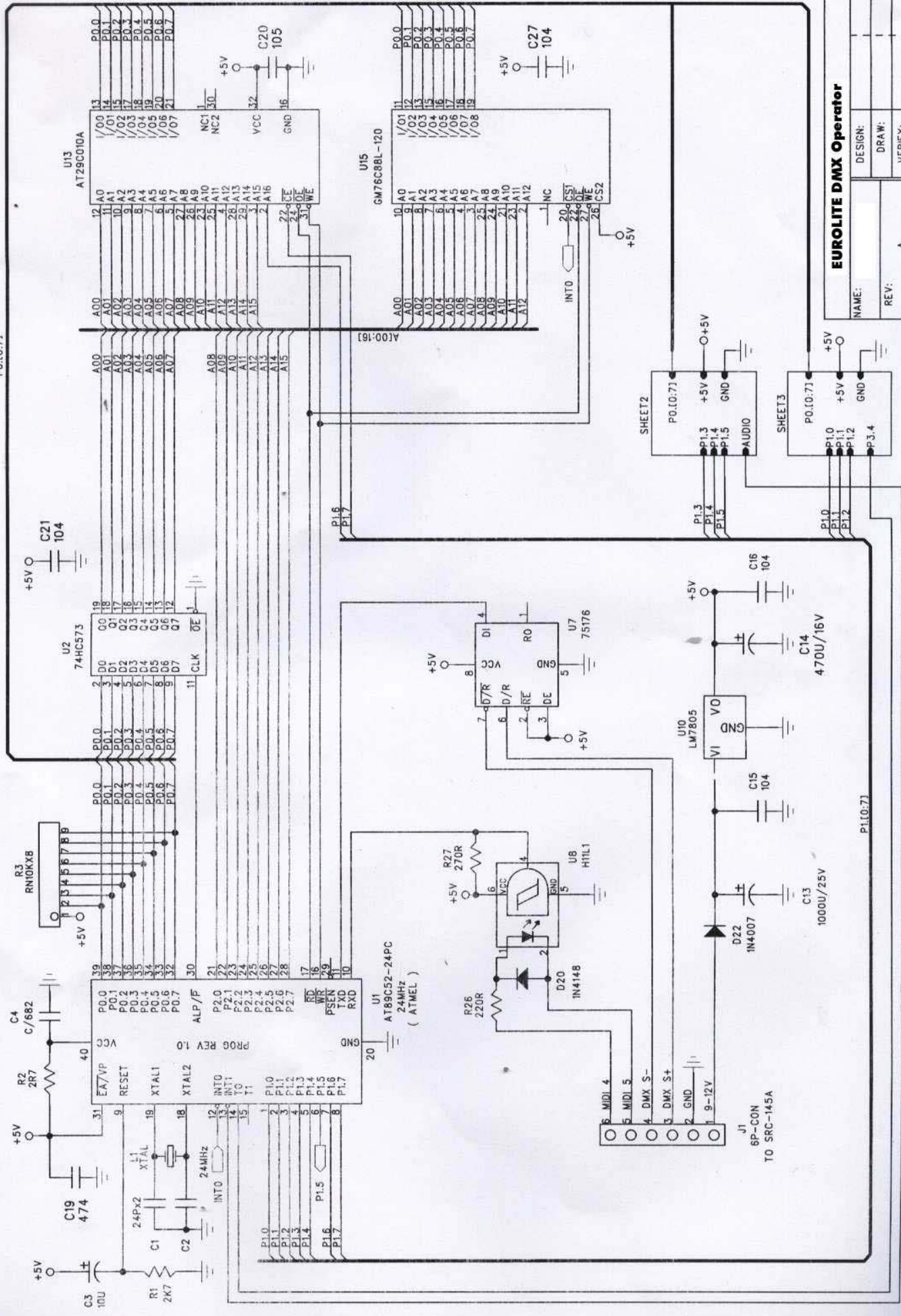
Documentos de servicio

Version 1.0



EUROLITE DMX Operator			
NAME:	DESIGN:		
REV: A	DRAW:		
DATE: 1999 11 24	VERIFY:		
	APPROVE:		

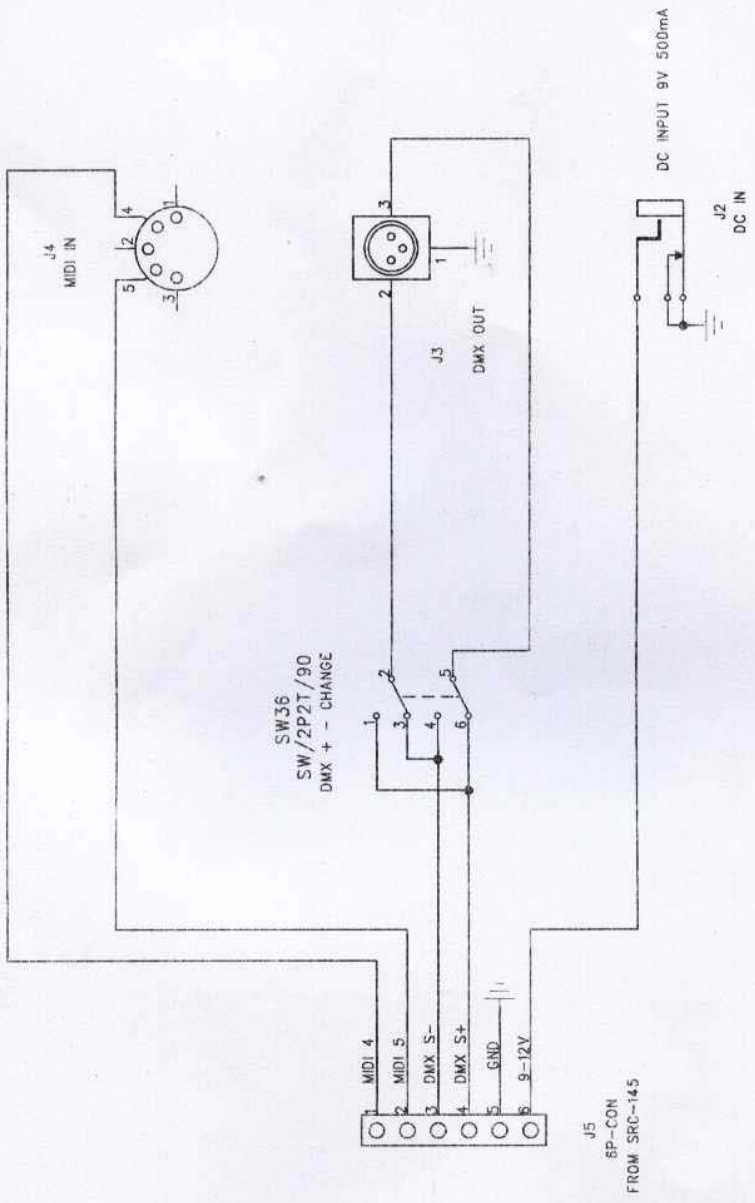
P0.10:71



EUROLITE DMX Operator

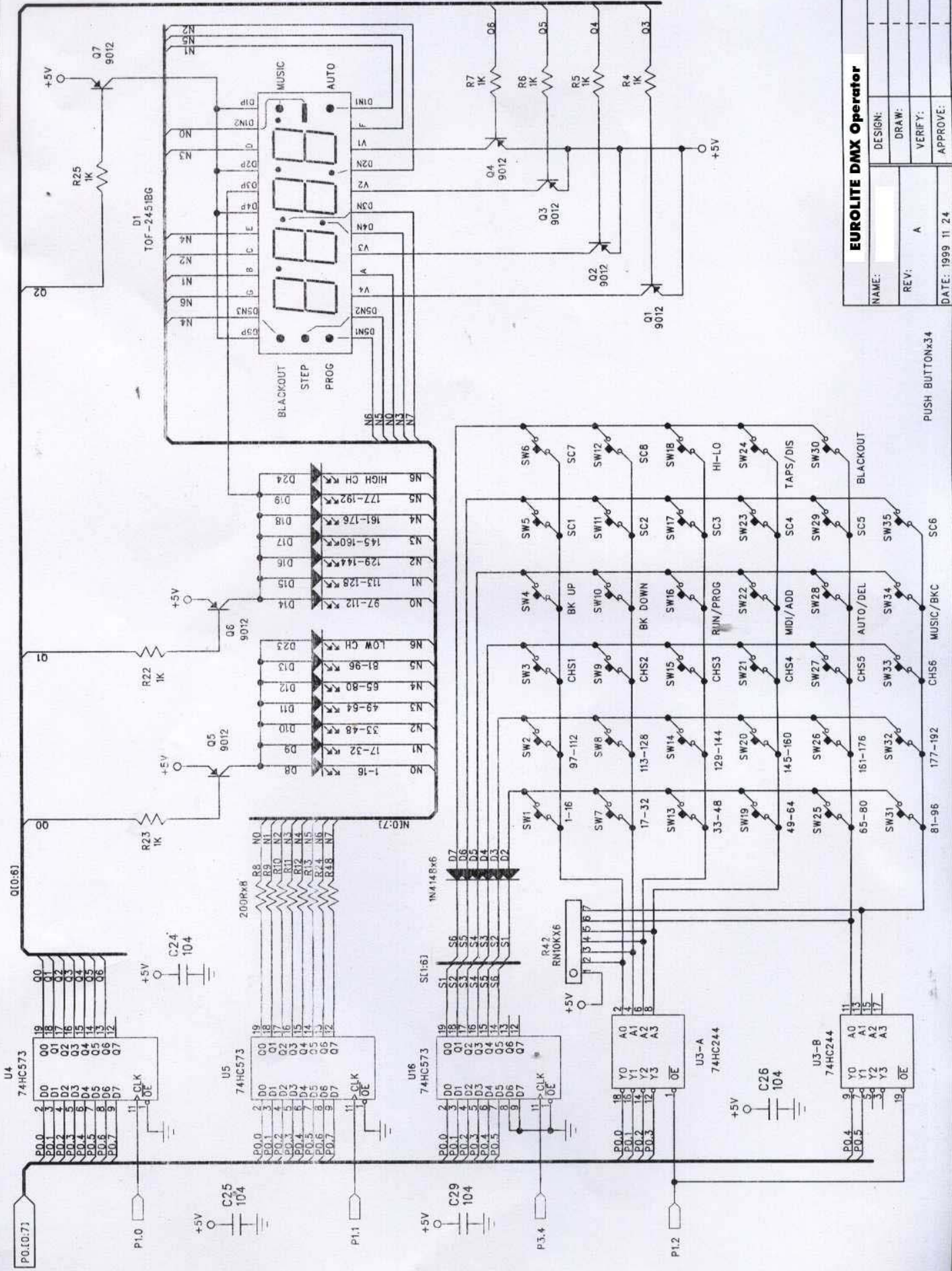
DESIGN:	
DRAWN:	
VERIFY:	
APPROVE:	
NAME:	
REV:	A
DATE:	1999 11 24

P1.0:71



EUROLITE DMX Operator

NAME:	DESIGN:
REV: A	DRAW:
DATE: 1999.12.24	VERIFY:
	APPROVE:



EUROLITE DMX Operator			
NAME:	DESIGN:	DRAW:	VERIFY:
REV: A			
DATE: 1999.11.24			

PUSH BUTTONx34